



ACCELLA

- managing the flows

Accella is a module-based software offering unique functionality for automation, operation and administration for petroleum terminals and oil distribution. Accella can be configured for individual terminals as well as network-based solutions for the central operation of regional, national and global terminal chains.

Based on in-depth knowledge of the value-chain, we offer scalable systems and services with documented increase of efficiency and reduced cost of operation. In today's market, where the trends show tough margins and hard competition, it is essential for management to have web-based access to real-time information from Accella.

Accella//SCADA - Process Visualization & Control

FEATURES

Real-time overview and control of the entire system

Large mimic panels are unnecessary

Easy to localize alarms

Stock overview

Manual control

Ideal for tuning additive injection and loading process

General

The Accella//SCADA module provides a comprehensive overview of all Accella-controlled devices and activities at the oil depot.

The overview screenshot below shows active tanks and load racks:

- Active tanks change colour
- Racks in use are shown with tanker trucks
- Loading arms change colour when in use
- Alarms and event are presented

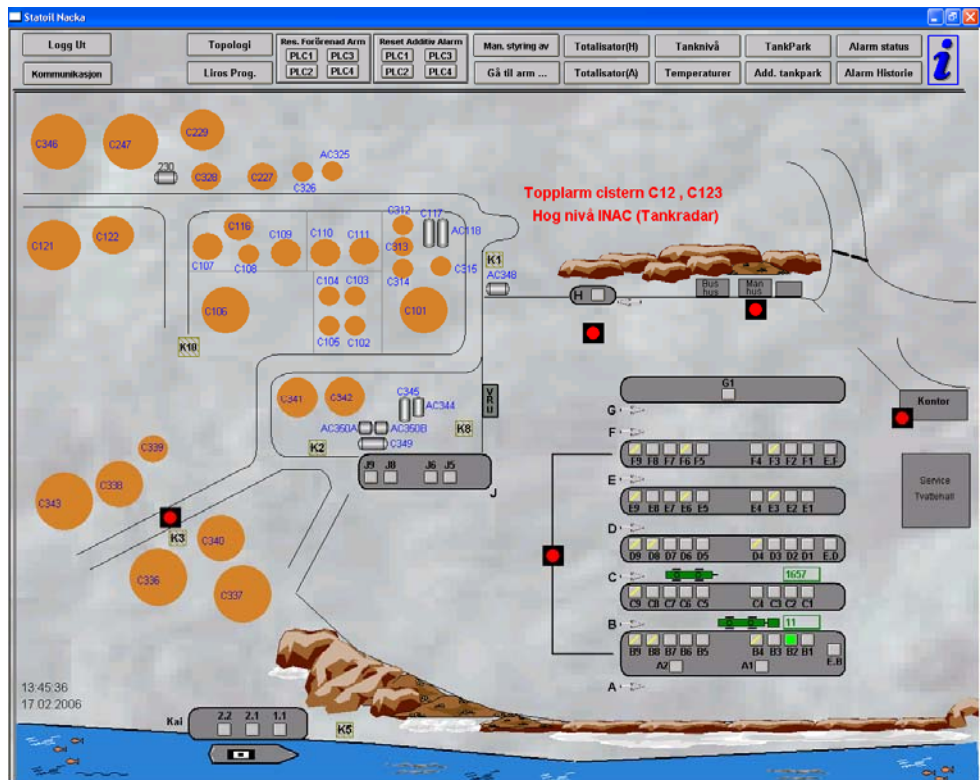


Figure 1: Overview screenshot

Accella//SCADA - Process Visualization & Control

Detailed information

For detailed information on a specific item, such as a loading arm, the operator simply clicks on the item of interest (i.e. the loading arm) on the overview. A new, more detailed screenshot will be presented. The example below shows the flow process tank to loading arm.

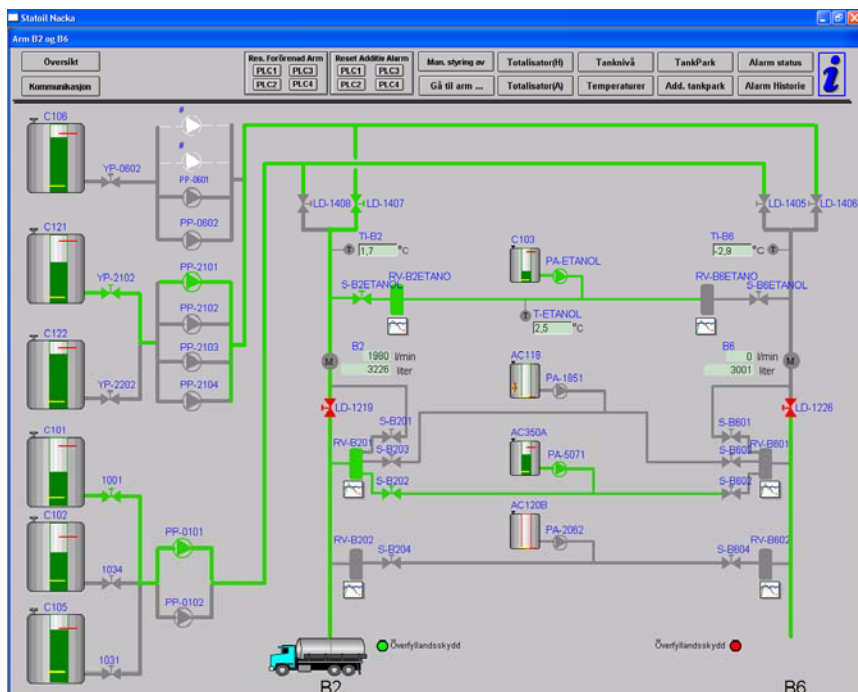


Figure 2: From tank to loading arm

Active product flow, pumps and valves are identified by a colour change. Real-time values are shown for temperature, flow rate and loading volume.

Active additive injection is also identified by a colour change in the product flow. For more detailed additive information, a screenshot of additive trends may be shown.

Manual control

Accella//SCADA may also be used for manual operations, such as opening/closing valves and starting/stopping pumps. This is done by simply clicking on the chosen device, which activates a small pop-up box with a selection of possible controls for the device:

Security

Users of this module are registered with a unique password. Each user is set up for individual privileges, such as access to certain pages or certain operations. Typically, certain operators have access to view system status only, while other users have access to perform certain functions, such as manual control of devices.